



GENERAL SPECIFICATIONS

LCD type	8.4" TFT Active Matrix
Cabinet	Metal case
Controls	Digital rear controls

DISPLAY

Brightness	450cd/m2
Contrast ratio	500:1
Resolution (dots)	SVGA 800(W) x 600(H)
Pixel	0.213(W) x 0.213(H) mm
Viewing angle	60°/40°(U/D) / 60°/60°(L/R)
Viewing area	170.4(W) x 127.8(H) mm
Lamp life	50,000hrs

INPUTS & OUTPUTS

Data input	RGB SubD 15 (1 input) / DVI
Input Screen touch and audio	RS232
Speaker	2W
Connectors with special lock	

ELECTRICAL

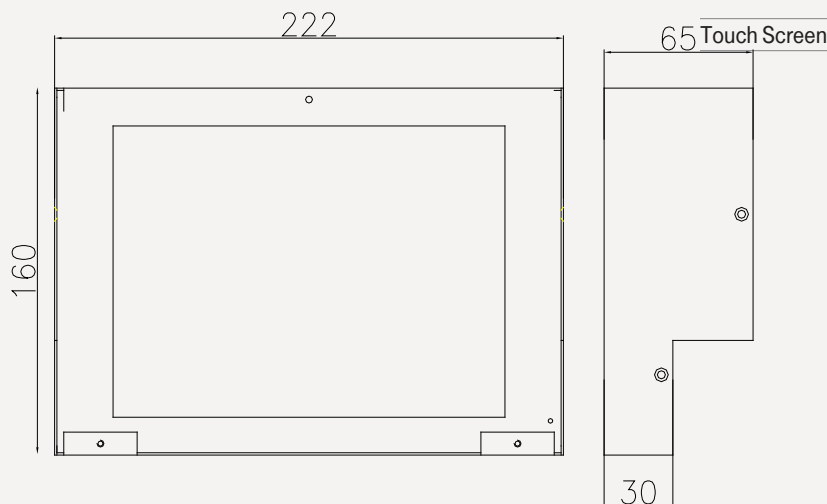
TFT power supply	9-36Vdc
Power consumption	16W

MECHANICAL

Dimensions (mm)	222 x 160 x 65
-----------------	----------------

OTHER

Response time	10ms
Temperature	Operating +0°C ~ +50°C, Storage -20°C ~ +60°C
	Resistive



Specifications subject to change without previous notice. Albiral is a registered brand by ALBIRAL DISPLAY SOLUTIONS SL



ALBIRAL DISPLAY SOLUTIONS SL
 C/ Fàtima 25,
 08512 Sant Hipòlit de Voltregà
 Barcelona - Spain
 Tel.: +34 93 850 23 76 / 23 83
 fax: +34 93 850 25 50
 web: www.albiral.com
 e-mail: marketing@albiral.com

ALBIRAL PRO, S.L.
 C/ Vázquez de Mella 23
 28017 Madrid - Spain
 tel: +34 91 368 11 90
 fax: +34 91 368 11 97
 web: www.albiral.com
 e-mail: albiral@albiral.com

www.albiral.com